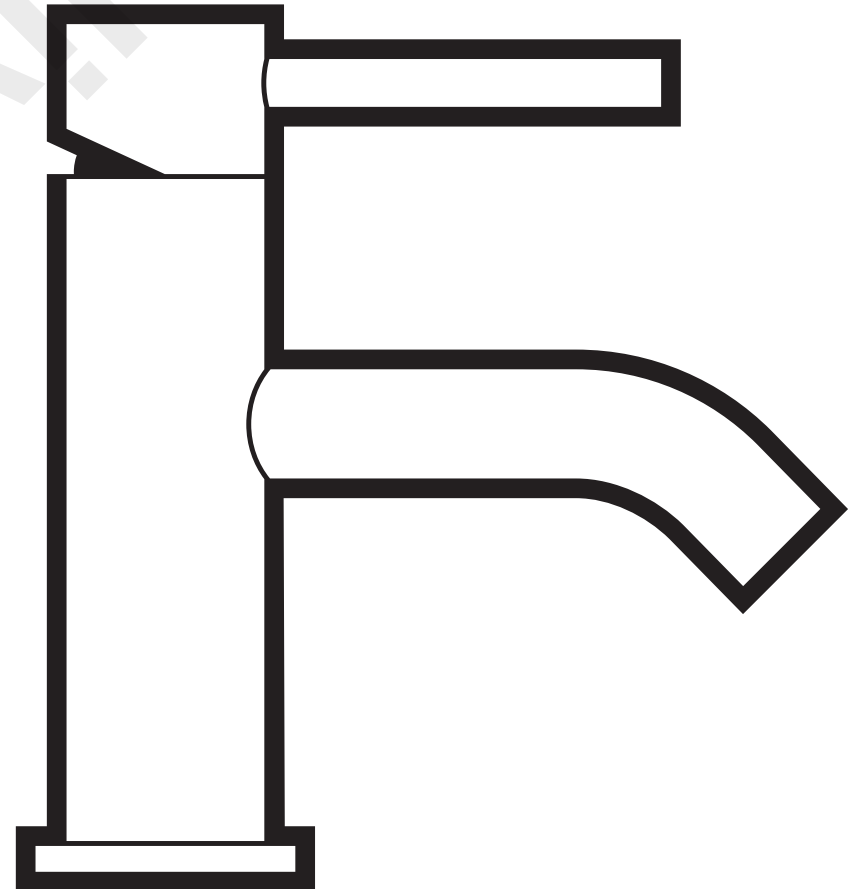
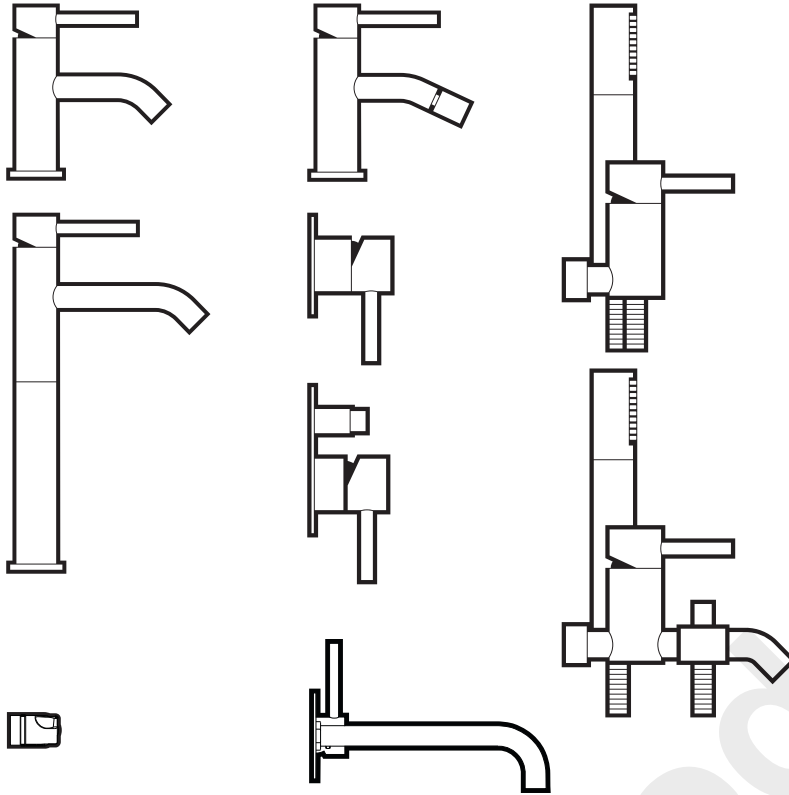


**MINI**

instructions

**32400MI-xxx.U**

Monobloc basin mixer



COMPLETE  
**BATH**  
SOLUTIONS

**CIFIAL – Torneiras, S.A.**  
Apartado 413  
4524-907 Riomeão  
PORTUGAL  
40° 57' 29.20" N  
8° 35' 11.40" W  
Tel: +351 256 780 100  
Fax: +351 256 783 395  
comercial.torneiras@cifial.pt  
www.cifial.pt

**CIFIALdecor, S.A.**  
Avda. del Petróleo, 44  
(Pol. Ind. San José de  
Valderas)  
28918 Leganes, Madrid  
ESPAÑA  
Tel: +34 916 110 261  
Fax: +34 916 103 694  
cifial@cifial.es

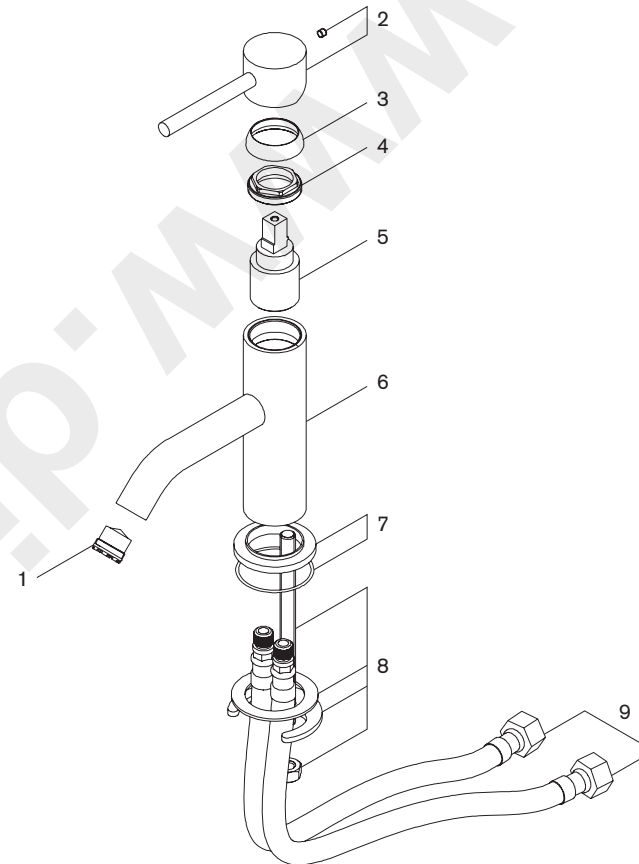
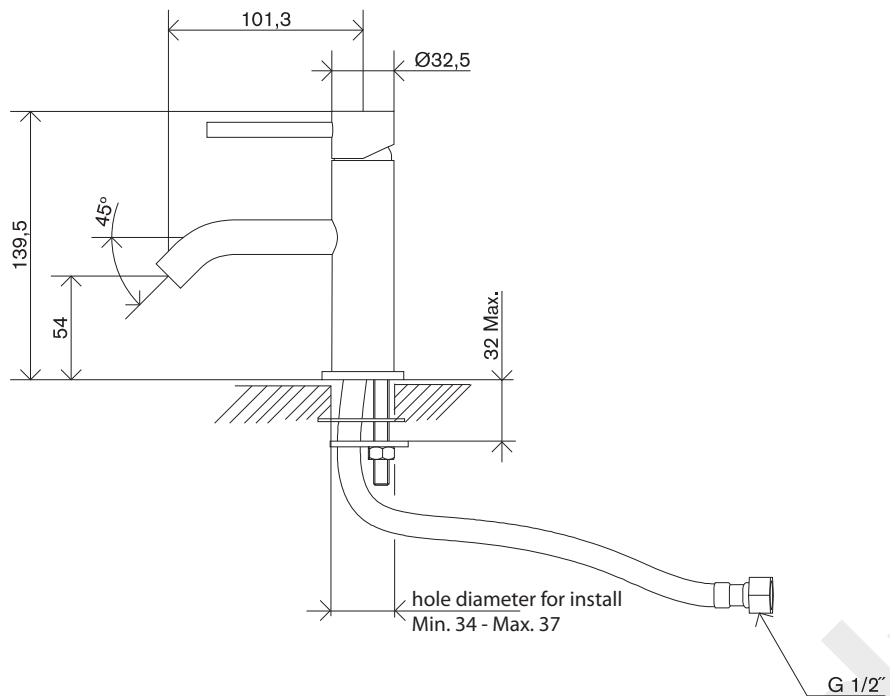
**CIFIAL UK, Ltd.**  
7 Faraday Court, Park Farm  
Industrial Estate, Wellingbor-  
ough, Northants NN8 6XY  
UK  
Phone: +441 933 402 008  
Fax: +441 933 402 063  
sales@cifial.co.uk  
www.cifial.co.uk

**CIFIAL USA**  
2935 Amwiler Road  
Atlanta, GA 30360-6001  
USA  
Tel: +1 800 528 4904  
Fax: +1 800 528 1969  
info@cifialusa.com  
www.cifialusa.com

**CIFIAL Polska sp. z o.o.**  
ul. Macieja Rataja 12  
05-070 Sulejów  
Warsaw  
POLAND  
Tel: +48 22 7831699  
Fax: +48 22 783 15 09  
cifial@cifial.pl  
www.cifial.pl

5665003 / 983M004U02

**GUARANTEE**  
We recommend that you keep the invoice throughout the guarantee period.

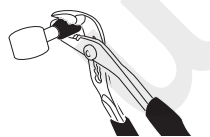


5665003 / 983M100.4U02

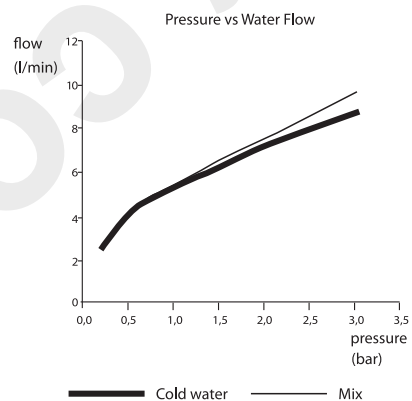
dimensions m/m

**note:** xxx stands for different finishes

**installer:** please leave all leaflets with the building owner to file for future reference



tighten/untighten lever handle



**ref.**

1	5713132	aerator	1
2	3490110-xxx	lever handle assembly	2
3	3400246-xxx	domed collar	3
4	5712154	cartridge nut	4
5	5711474	cartridge	5
6	3490111-xxx	spout assembly	6
7	3490112-xxx	eschutcheon assembly	7
8	5710241	fixing set	8
9	5700282	flexible hose (x2)	9